

operating manual *and*
parts list

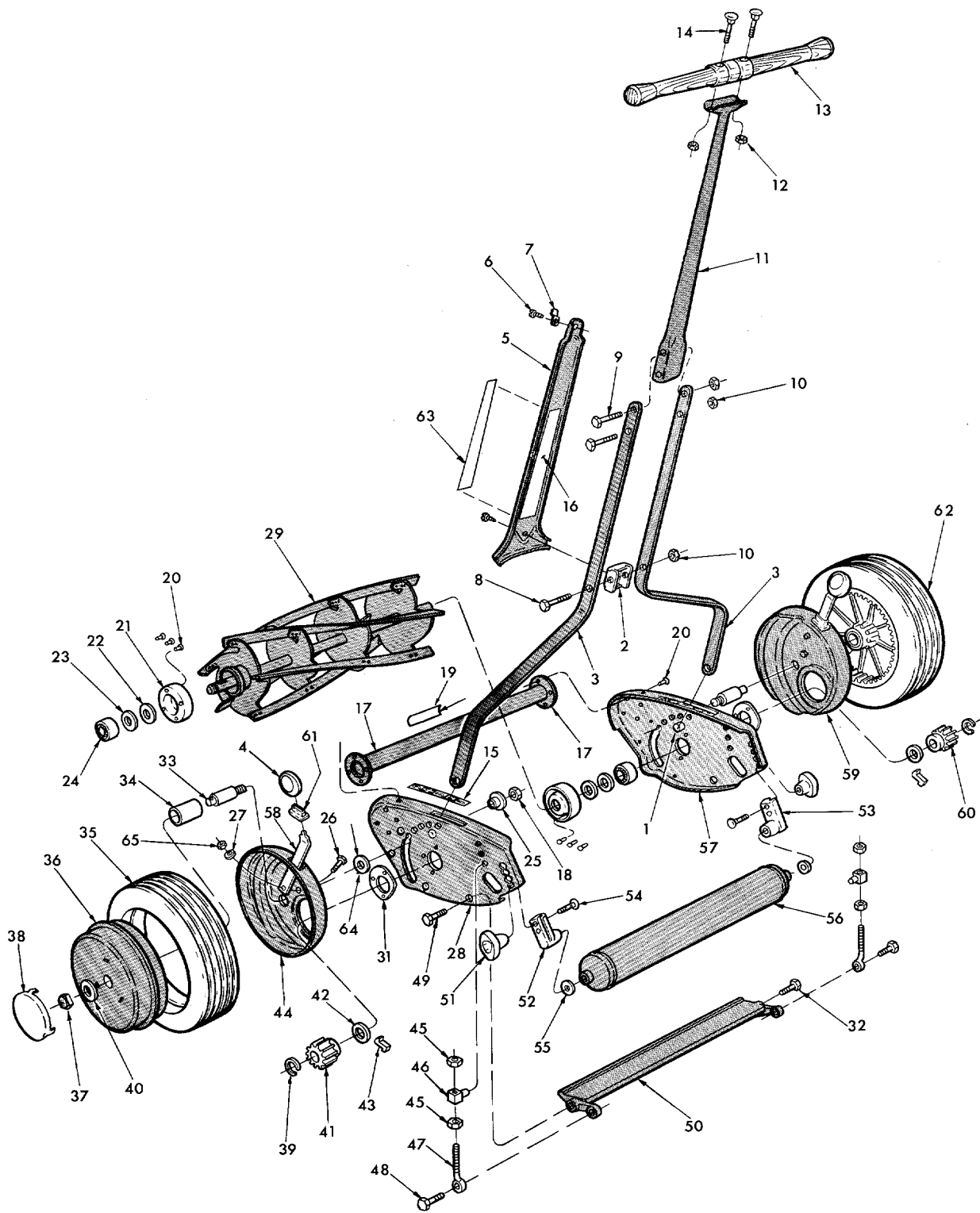
MODEL 1010-7

18-INCH
HAND MOWER



YARD-MAN

1410 West Ganson Street — Jackson, Michigan 49202



MODEL 1010-7 HAND LAWNMOWER

WHEN ORDERING REPAIR PARTS, ALWAYS GIVE THE FOLLOWING INFORMATION

- | | |
|---------------------|----------------------|
| 1. THE PART NUMBER. | 3. THE MODEL NUMBER. |
| 2. THE PART NAME. | 4. THE NAME OF ITEM. |

Your Mower is right hand (R.H.) or left hand (L.H.) as you push.

Do not use Reference Numbers when ordering Repair Parts, always use Part Numbers.

PARTS LIST

REF. NO.	PART NO.	PART NAME	REF. NO.	PART NO.	PART NAME
1	10	Trunnion	34	1652-52	Bearing
2	2624-18	Spacer	35	2619-25	Tire
3	3603-43	Handle Brace	36	1110-27	Drive Wheel Less Tire
4	2643-60	Knob—Wheel Adjust	37	1538-36	*Nut (3/8-16 Hex Lock)
5	3622-54	Cover Plate	38	2674-33	Hub Cap
6	1523-3	*Screw (#10 x 3/8 Ph. Hd. Sht. Mtl.)	39	1650-21	Retaining Ring
7	1689-3	Grass Catcher Clip	40	141	*Washer (3/8 x 1 1/4)
8	169	*Bolt (5/16-18 x 2 1/2 Sq. Hd.)	41	428	Pinion Gear—L.H.
9	1509-13	*Bolt (5/16-18 x 2 1/4 Hex Hd.)	42	109	Felt Washer
10	70	*Nut (5/16-18 Hex)	43	323	Pawl
11	2117-15	Handle Shaft	44	2118-81	Gear Housing Ass'y—L.H.
12	67	*Nut (1/4-20 Hex)	45	52	*Nut (3/8-24 Semi-Fin. Hex)
13	1664-7	Cross Handle	46	11	Trunnion
14	165	*Bolt (1/4-20 x 1 3/4 Carriage)	47	451	Screw—Cutter Bar Adjust
15	1616-114	Label—Wheel Adjust	48	453	Screw—Rear
16	2616-215	Label	49	455	Screw—Pivot (R.H. Thd.)
17	1112-29	Spacer Tube Ass'y	50	2134-14	Cutter Bar
18	41-028	*Nut (5/16-24 Hex Lock)	51	1643-23	Roller Adjust Knob
19	1605-663	Name Plate	52	¹⁶⁰⁹ 2609-601	Roller Bracket—L.H.
20	1530-6	*Rivet (3/16 x 3/8 Rd. Hd.)	53	¹⁶⁰⁹ 2609-602	Roller Bracket—R.H.
21	1629-28	Retainer	54	1529-45	Roller Adjust Bolt
22	104	Felt Washer	55	757	*Washer (5/16 x 3/4)
23	106	Felt Retainer	56	2658-31	Roller
24	3	Bearing	57	3111-128	Ass'y—End Plate (R.H.)
25	1657-19	Bushing	58	1155-47	Spring & Trunnion Ass'y
26	1509-38	Screw (#10-32 x 3/8 Hex Hd.)	59	2118-82	Gear Housing Ass'y—R.H.
27	1540-55	Washer	60	425	Pinion Gear—R.H.
28	1129-233	End Plate with Trunnions—L.H.	61	1622-50	Dust Cover
29	2135-17	Reel Ass'y	62	1108-80	Drive Wheel Ass'y with Tire
30	1530-20	*Rivet (3/16 x 13/32 Rd. Hd.)	63	2616-558	Label—Handle Cover
31	1629-74	Retainer	64	1540-43	Washer
32	1509-86	Screw—Cutter Bar (L.H. Thd.)	65	1534-8	Nut (10-32 Gripco)
33	1631-45	Axle			

For Illustration—See Page 2

*Standard Hardware Item—Purchase Locally

SETTING UP

1. Attach handle brace (1). (Fig. 1)
2. Attach handle brace spacer and handle as shown, tighten nuts (2) securely.
3. Attach cover plate and grass catcher clip with screws (3).
4. If grass catcher is used, attach catcher hooks on inside of frame, under HEAD of roller bracket bolt, as shown in Fig. 1.

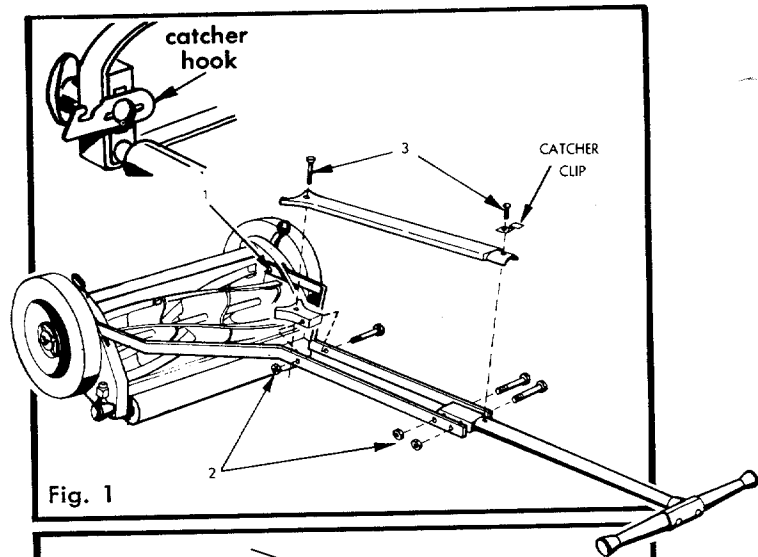


Fig. 1

CUTTING HEIGHT ADJUSTMENT

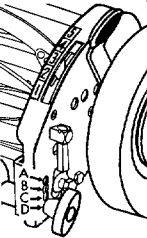
Locate wheel levers and roller knobs in positions shown on chart (attached to back of handle cover plate) for cutting height desired. To make these adjustments with maximum ease, proceed as follows:

TO ADJUST WHEELS

1. Tilt mower back on roller to raise wheels slightly off the ground.
2. Press levers toward outside of mower to "unlock" them from present position, and move to new position. Be sure both levers are in same position and trunnions are firmly seated in holes in chassis end plates.

CUTTING HEIGHT CONTROL

PLACE WHEEL LEVER AND ROLLER KNOB IN POSITION SHOWN FOR HEIGHT OF CUT DESIRED



CUTTING HEIGHT IN INCHES	LEVER	KNOB
2 1/4	5	C
2	4	D
1 3/4	4	C
1 1/2	3	C
1 1/4	3	B
1	2	B
3/4	2	A
1/2	1	A

* PAT. NO. 3,178,874

TO ADJUST ROLLER

1. Tilt mower forward to raise roller slightly off the ground.
2. Loosen roller knobs 2 full turns and move to new position. Be sure both knobs are in same position and firmly seated in "notch" in chassis end plate, then tighten securely.

TO TIGHTEN CUTTER BAR

1. (Fig. 3) Loosen top nut (5) one quarter turn.
2. Tighten lower nut (6).
3. Bolts (7 and 8) must be tight after adjustment. IMPORTANT—REEL BLADES SHOULD NOT CONTACT CUTTER BAR.

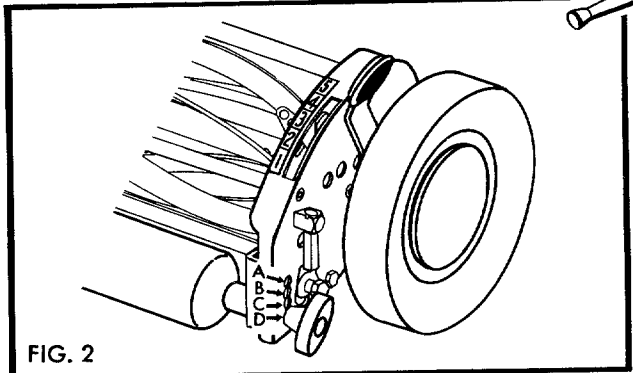


FIG. 2

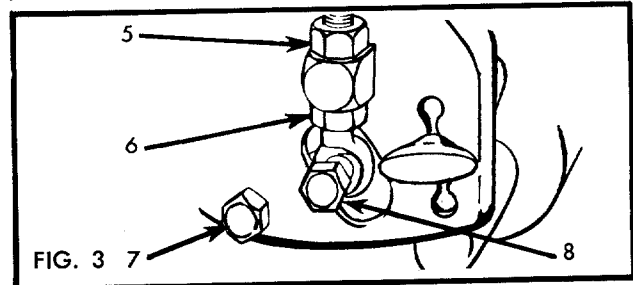


FIG. 3

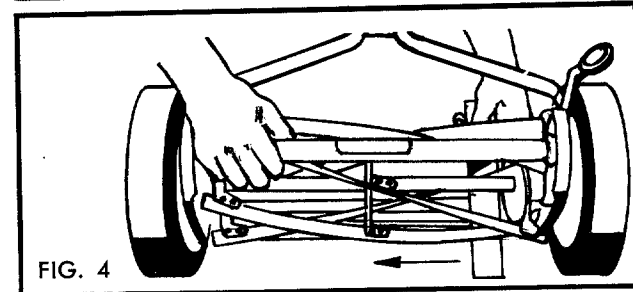


FIG. 4

3. Adjust cutter bar so that reel blades pinch the paper without cutting it.

4. Check cutter bar clearance in this manner at several points moving toward right hand side of mower.

SILENT YARD-MAN PAPER TEST

1. Insert strip of newspaper approx. 2" wide between cutter bar and reel (Fig. 4).
2. Turn reel slowly backward with wheels off ground.

LUBRICATION

1. Seals on all bearings, hold dirt out and grease in. No further lubrication is required until mower is sharpened.
2. Oil Roller Bearing once or twice a year.